



The Smart Cabinet MMSlog® System is the ultimate solution for high-cost products (prostheses, implants, catheters, etc.) stock control and traceability management, enabling the automatic quick and accurate take of inventories using UHF radio frequency (RFID), identifying user access and controlling stock levels in real time, either operating independently or integrated into a server environment.

INTRODUCTION

The Smart Cabinet MMSlog system[®] achieves the ultimate goal in high-cost medical device logistics, having a highly efficient and dynamic storage management system, with controlled access to products, and real-time updates of changes in stock, knowing at all times what is happening, and who is involved.

The Smart Cabinet MMSlog[®] is a robust metal cabinet, with an integrated access control system, which can be used in a very simple and intuitive way. The default access control is carried out by means of an HF RFID reader, compatible with most smart cards and labels on the market. If a card-based access control module is available at the client's premises, the cabinet can be integrated with it.

The stock inventory is made using UHF RFID technology. This is a set of high-performance antennas, strategically placed and oriented to optimise label detection, as well as to achieve a high degree of resistance to disturbances and shielding caused by the presence of metallic materials in stock.

The built-in 17" touch screen enables access to all equipment's functionalities. A simple, user-friendly interface with large buttons has been designed for gloved use.

The system enables the integration of additional components such as fingerprint reader, hands-free VoIP communication, informative OLED display, and many other components that may exist at the client's premises.

The Smart Cabinet MMSlog system[®] can operate independently, storing data related to the activity (users, permissions, product references, ...). In this case, by using the touch screen, all operating data can be easily accessed, or the system can be accessed remotely for data extraction and subsequent use.

The Smart Cabinet MMSlog system[®] can also operate within a server environment, storing all information in a unified global database, which can be shared and used by multiple smart cabinets at the same time.

TYPE AND REFERENCES

SM01999986 - Smart Cabinet 1 Body Main Module for Consumables (with display)

SM01999976 - Smart Cabinet 1 Body Auxiliary Module for Consumables



SM01999987 - Smart Cabinet 1 Body Main Module for Catheterisation (with display)

SM01999977 - Smart Cabinet 1 Body Auxiliary Module for Catheterisation



Note: For Smart Cabinet models without RFID, with only barcode reader for manual management of traceability, replace the third-to-last reference number with an 8. P.ej. SM019999886.

SM029999986 - Smart Cabinet 2 Bodies Main Module for Consumables (with display)
SM029999976 - Smart Cabinet 2 Bodies Auxiliary Module for Consumables



SM029999987 - Smart Cabinet 2 Bodies Main Module for Catheterisation (with display)
SM029999977 - Smart Cabinet 2 Bodies Auxiliary Module for Catheterisation



Note: For Smart Cabinet models without RFID, with only barcode reader for manual management of traceability, replace the third-to-last reference number with an 8. P.ej. SM029999886.

TECHNICAL CHARACTERISTICS

Physical Characteristics

Versions	Single (1 door) and double (doors)
External dimensions (height x width x depth)	
▪ One door	1990 x 1055 x 657 [mm]
▪ Two doors	1990 x 1545 x 657 [mm]
Internal dimensions (height x width x depth)	
▪ One door	1819 x 804 x 479 [mm]
▪ Two doors	1795 x 620 x 430 [mm]
Door dimensions (height x width)	
▪ One door	1840 x 890 [mm]
▪ Two doors	1814 x 675 [mm]
Weight	
▪ One door	150 [kg]
▪ Two doors	270 [kg]
Display	17" PC TOUCH PANEL
Material	Aluminium or steel with electrostatic paint
Colour	Grey (RAL 7047) and blue (RAL 5024).
Sealing	IP-40
Useful capacity	Up to 16 baskets per door. Baskets 10 mm ISO (H)
Power supply	220V AC (2A)
Battery	2-hour battery life without the need for an external UPS

Reading Performance Characteristics

- More than 400 labels per second.
- UHF RFID frequency: European ETSI UHF 865-868 MHz, which can be modified.

Main characteristics of components

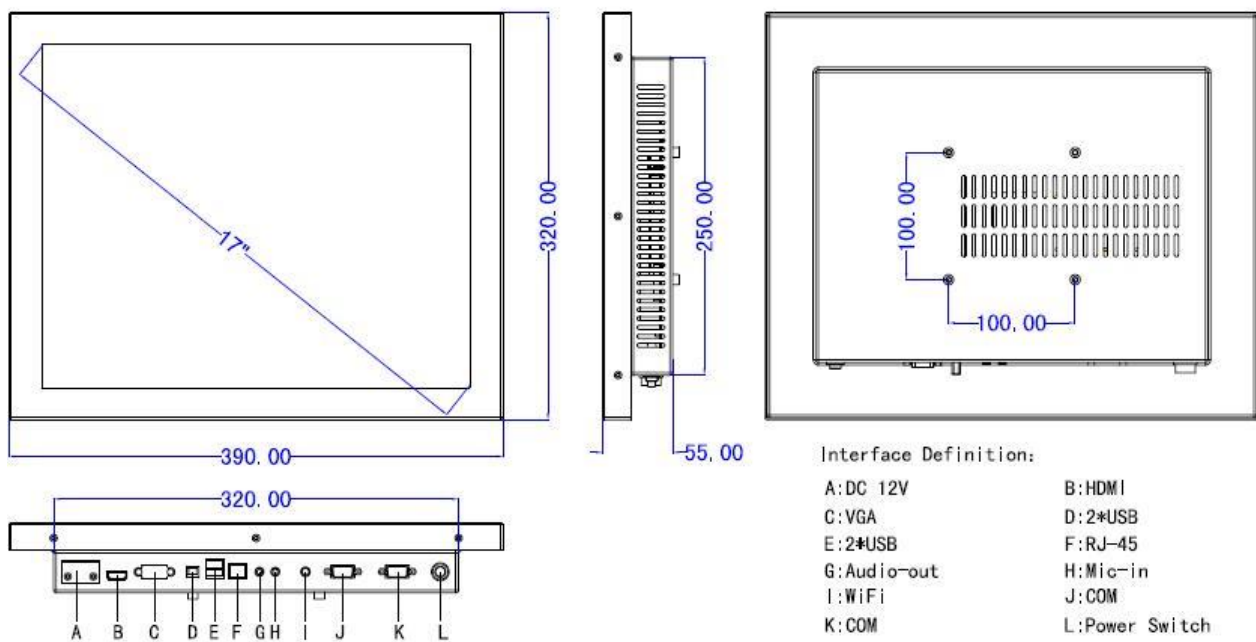
- 13.56 MHz embedded HF reader for user access. Capable of recognising most models of HF cards and labels on the market and user access control.
- 220V AC power socket with built-in 280W 450VA UPS with 4 power sockets enabling up to 2 hours of regular use.

- External Ethernet link.
- LED rings indicating the state of operation by means of colours.
- Electromechanical Fail-Secure locks, with possibility of manual opening.
- 17" resistive touch panel PC.
- Optional external barcode reader.

Connectivity

- Ethernet with external RJ45 connector next to the power supply (rear of the cabinet).

Operating system (PANEL PC AIO – B017B)



Settings	
CPU	Inter j1900 2. GHz
Chipsets	Bay Trail - MD
Memory	2GB DDR3 (8GB)
Hard Disk	32G SSD(500G)
Charts	HD
Lan	RTL 81111F 100 Lan
Audio	RTL ALC662

Settings	
IO/ports	1 x VGA
	1 x HDMI
	2 x RS232
	3 x USB 2.0
	1 x USB 3.0
	1 x RJ-45
	1 x WIFI (optional)

Touch Screen	
Type	Resistive
Response time	<10ms
Surface	3H
Durability	≥1000W
Transparency	≥80%

LCD	
LED Panel	17" LED
Resolution	1280x1024
Gloss	300cd/m ²
Contrast	1000:1
Colour	16.2M
Surface	3H
Response time	35ms
Pixel size	0.297x0.297mm
Viewing Angle	85/85/80/80

Environmental Conditions	
Operating temperature	0°C - 40°C
Storage temperature	-20°C - 80°C
Humidity	10-95% at 40°C

Dimensions and Weight	
Dimension	390x320x55mm
Dimension	430x370x165mm
Weight	1x3.5kg

Accessories	
Stylus pen	1 piece
Power adapter	1 piece

Interface Features

- Possibility of interface customisation.
- Language selection, easily modifiable.

Compatibility with Other Elements

- Due to the open nature of the software, it can be compatible with any desired element.

Operating Range

Operational temperature	>0°C and <40°C
Air humidity	Up to 95% RH
Effect of ambient light	Does not affect the contents, as it is protected by the external structure of the cabinet
Interference with other materials	Not applicable